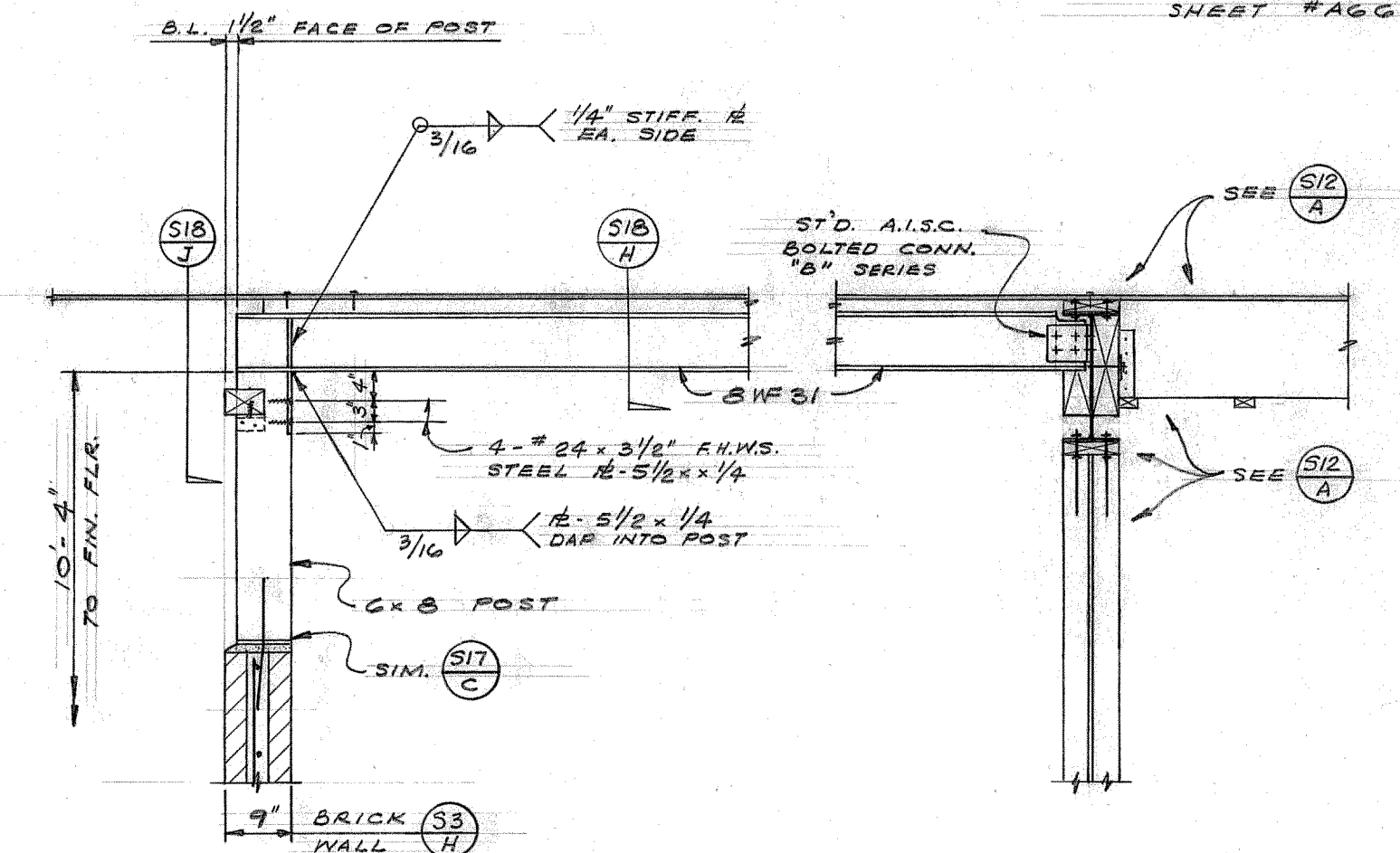
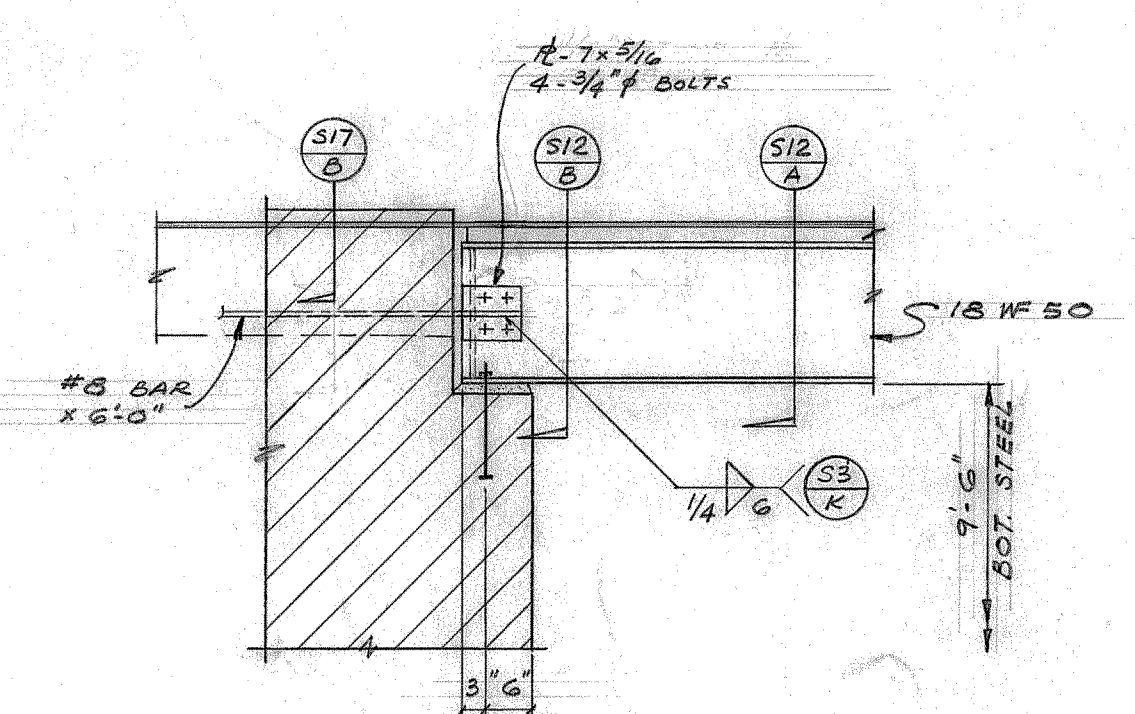


UNIT 'F' ROOF FRAMING PLAN
 1/8" = 1'-0"

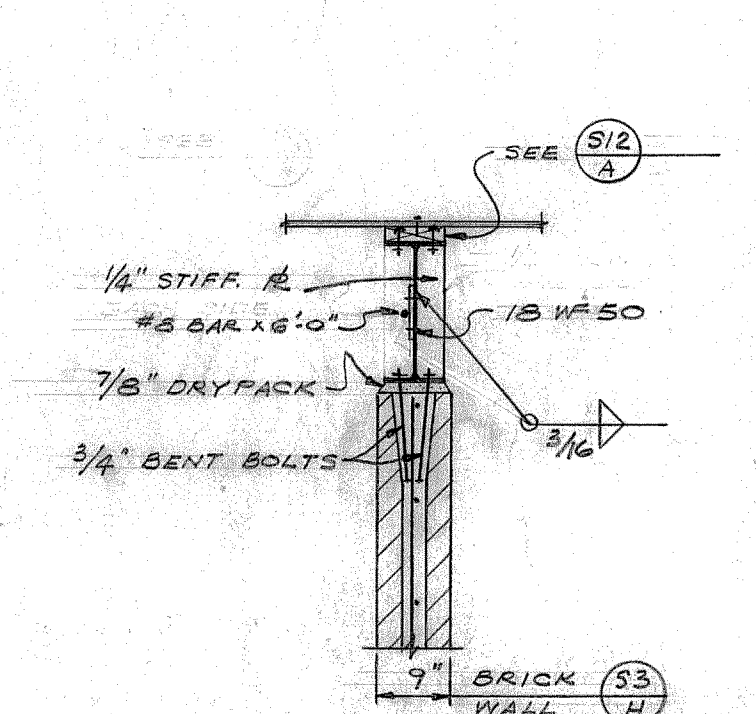
- NOTES: 1. SEE SHEET # S11 FOR FRAMING NOTES.
 2. WORK WITH SHEETS # S5, S7, S18, S19, S46.
 3. WORK WITH REFLECTED CEILING PLAN ON SHEET # AGG FRAME SMALL OPENINGS PER S20.



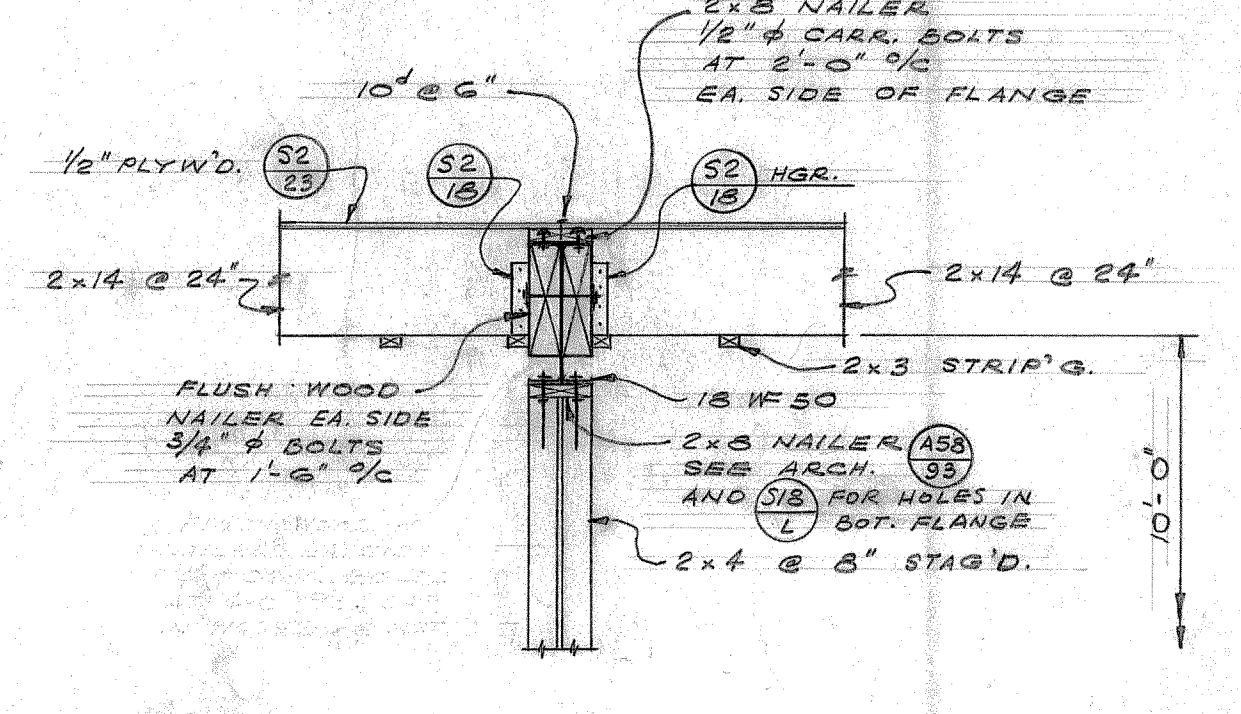
SECTION S12 D
 1/2" = 1'-0"



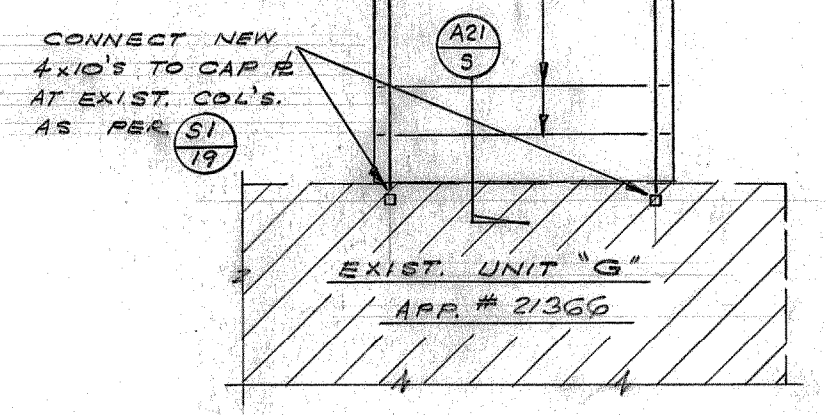
SECTION S12 C
 1/2" = 1'-0"



SECTION S12 B
 1/2" = 1'-0"



SECTION S12 A
 1/2" = 1'-0"



CONNECT NEW 4x10'S TO CAP BEAM AT EXIST. COL'S. AS PER S19

EXIST. UNIT 'G'
 APP # 213GG

CONTRACTOR TO VERIFY ALL DIMENSIONS AT THE JOB

 ARCHITECT STRUCTURAL ENGINEER	MECHANICAL ENGINEER
	ELECTRICAL ENGINEER
	CIVIL ENGINEER

KISTNER, WRIGHT & WRIGHT
 ARCHITECTS AND ENGINEERS
 ARTHUR J. RENDON & LEWIS K. OSBORN, ASSOCIATES
 LOS ANGELES, CALIFORNIA

STATE OF CALIFORNIA - DEPARTMENT OF PUBLIC WORKS
 DIVISION OF ARCHITECTURE
 21890 APPROVED JAN 30 1962
 F. W. WRIGHT
 ARCHITECT

UNIT 'F' ROOF FRAMING PLAN
 DATE 1-62
 DR. BY F.W.W.
 CHECKED BY S.T.A.
 JOB NO. 51-57
 NOGALES HIGH SCHOOL INC. I
 LA PUENTE UNION HIGH SCHOOL DISTRICT
 LA PUENTE, CALIFORNIA

SHEET NO. S12
 OF 138 SHEETS